



# SASTECH

SUPPORT ARM SYSTEM

ALUMINUM SUPPORT ARMS  
ALUMINUM ENCLOSURES

**ControlTech**



## CONTENTS

### **2 SAS050**

3 arms

3-4 bases

4-5 adapters

5 hinges, elbow

### **6 SAS090**

7 arms

7-8 bases

8-9 adapters

9 hinges, elbow

### **10 SAS130**

11 arms

11-12 bases

12-13 adapters

13 hinges, elbow

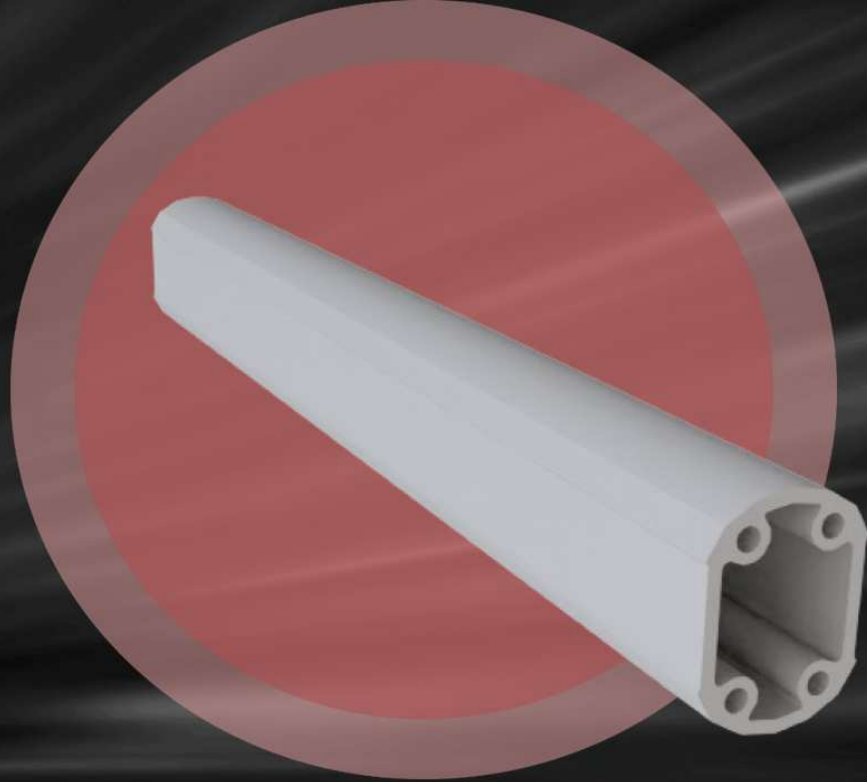
### **14 ENCLOSURES**

15 without handles

16 single handle

17 two handles

### **18 MAXIMUM STATIC LOAD**



## SAS050

compact system for light loads

maximum load 50 kg at a horizontal distance of 1 m



## SAS050



Product code	Description	Weight (g)
SAS.050.025	Support arm 250 mm	625
SAS.050.050	Support arm 500 mm	1250
SAS.050.075	Support arm 750 mm	1875
SAS.050.100	Support arm 1000 mm	2500
SAS.050.125	Support arm 1250 mm	3125
SAS.050.150	Support arm 1500 mm	3750
SAS.050.175	Support arm 1750 mm	4375
SAS.050.200	Support arm 2000 mm	5000



Product code	Description	Weight (g)
SAS.050.400	Rotating base for support arms	2130



Product code	Description	Weight (g)
SAS.050.310	Rotating base for support arms	1680



Product code	Description	Weight (g)
SAS.050.300	Rotating base for support arms	1870

## SAS050



Product code	Description	Weight (g)
SAS.050.410	Rotating base for support arms	1890



Product code	Description	Weight (g)
SAS.050.500	Square base for fixed connection of support arms	250



Product code	Description	Weight (g)
SAS.050.600	Rotating adapter for connection of the enclosure	1070



Product code	Description	Weight (g)
SAS.050.630	Rotating adapter for connection of the enclosure, heavy duty	1350

## SAS050



Product code	Description	Weight (g)
SAS.050.700	Rotating hinge for support arms	1850



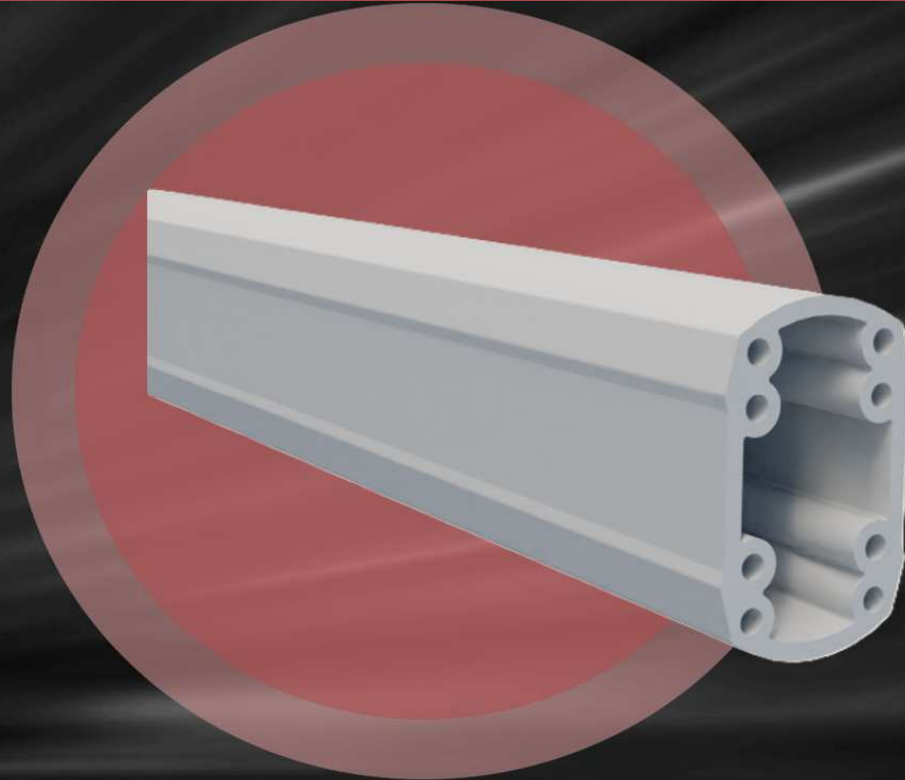
Product code	Description	Weight (g)
SAS.050.900	Fixed elbow for support arms	450



Product code	Description	Weight (g)
SAS.050.901	Rotating hinge for support arms	1120



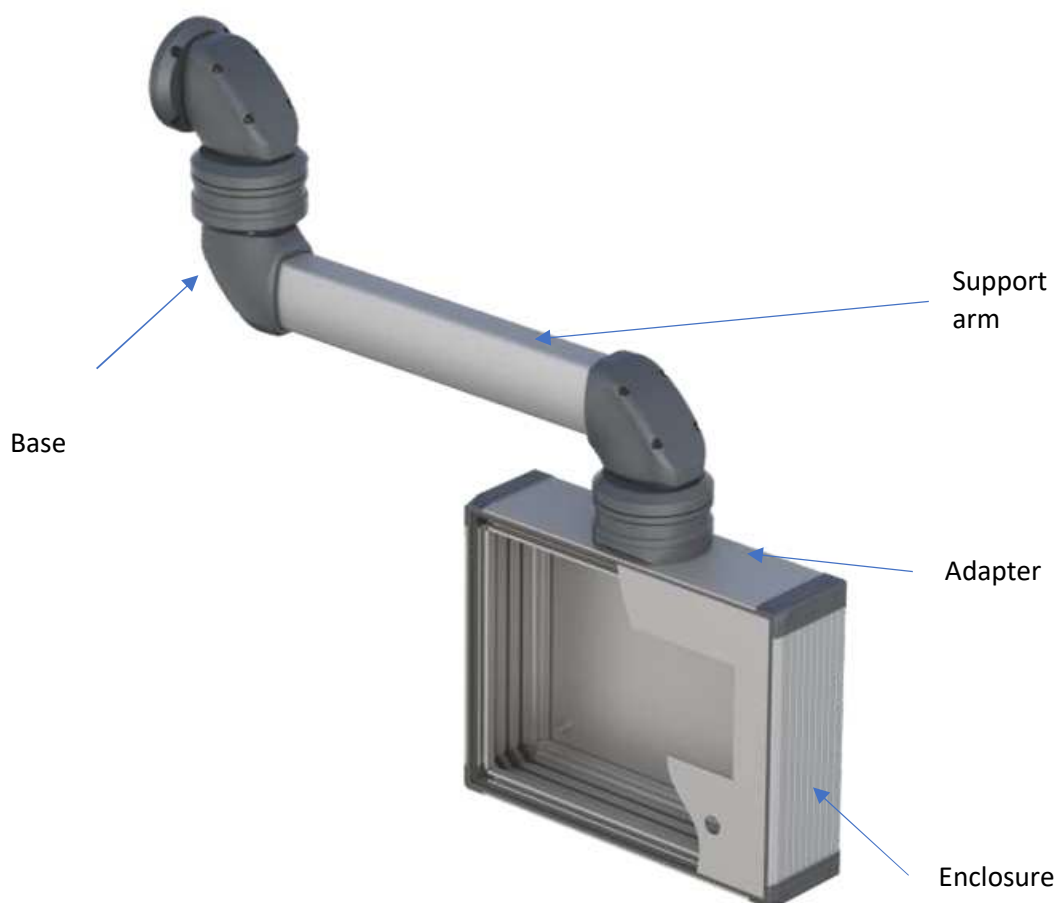
Product code	Description	Weight (g)
SAS.050.920	Rotating adapter for connection of the enclosure, light duty	800



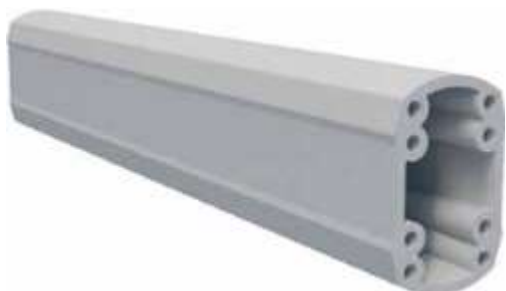
## SAS090

for medium loads

maximum load 90 kg at a horizontal distance of 1 m



## SAS090



Product code	Description	Weight (g)
SAS.090.025	Support arm 250 mm	1000
SAS.090.050	Support arm 500 mm	2000
SAS.090.075	Support arm 750 mm	3000
SAS.090.100	Support arm 1000 mm	4000
SAS.090.125	Support arm 1250 mm	5000
SAS.090.150	Support arm 1500 mm	6000
SAS.090.175	Support arm 1750 mm	7000
SAS.090.200	Support arm 2000 mm	8000



Product code	Description	Weight (g)
SAS.090.300	Rotating base for support arms	2780



Product code	Description	Weight (g)
SAS.090.310	Rotating base for support arms	2120



Product code	Description	Weight (g)
SAS.090.400	Rotating base for support arms	2720



## SAS090



Product code	Description	Weight (g)
SAS.090.410	Rotating base for support arms	2430



Product code	Description	Weight (g)
SAS.090.500	Square base for fixed connection of support arms	350



Product code	Description	Weight (g)
SAS.090.600	Rotating adapter for connection of the enclosure	1920



Product code	Description	Weight (g)
SAS.090.630	Rotating adapter for connection of the enclosure, heavy duty	1350

## SAS090



Product code	Description	Weight (g)
SAS.090.700	Rotating hinge for support arms	2200



Product code	Description	Weight (g)
SAS.090.900	Fixed elbow for support arms	750



Product code	Description	Weight (g)
SAS.090.901	Rotating hinge for support arms	1120



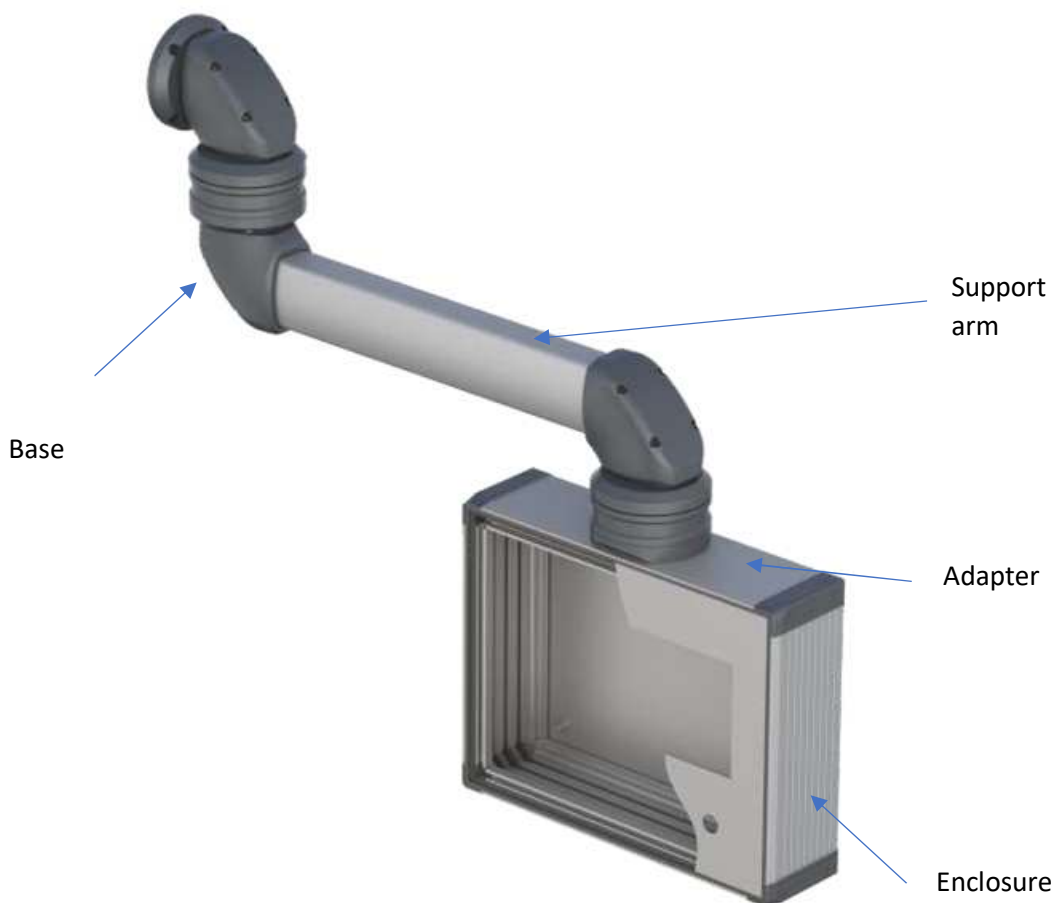
Product code	Description	Weight (g)
SAS.090.920	Rotating adapter for connection of the enclosure, light duty	840



## SAS130

for heavy-duty loads

maximum load 130 kg at a horizontal distance of 1 m



## SAS130



Product code	Description	Weight (g)
SAS.130.025	Support arm 250 mm	1500
SAS.130.050	Support arm 500 mm	3000
SAS.130.075	Support arm 750 mm	4500
SAS.130.100	Support arm 1000 mm	6000
SAS.130.125	Support arm 1250 mm	7500
SAS.130.150	Support arm 1500 mm	9000
SAS.130.175	Support arm 1750 mm	10500
SAS.130.200	Support arm 2000 mm	12000



Product code	Description	Weight (g)
SAS.130.300	Rotating base for support arms	5920



Product code	Description	Weight (g)
SAS.130.310	Rotating base for support arms	4870



Product code	Description	Weight (g)
SAS.130.400	Rotating base for support arms	6720

## SAS130



Product code	Description	Weight (g)
SAS.130.410	Rotating base for support arms	5935



Product code	Description	Weight (g)
SAS.130.500	Square base for fixed connection of support arms	350



Product code	Description	Weight (g)
SAS.130.600	Rotating adapter for connection of the enclosure	2520



Product code	Description	Weight (g)
SAS.130.630	Rotating adapter for connection of the enclosure	1430

## SAS130



Product code	Description	Weight (g)
SAS.130.700	Rotating hinge for support arms	5900



Product code	Description	Weight (g)
SAS.130.900	Fixed elbow for support arms	1830



Product code	Description	Weight (g)
SAS.130.901	Rotating hinge for support arms	1900



## ALUMINUM ENCLOSURES

All enclosures are compatible with...

- SAS050
- SAS090
- SAS130

## ENCLOSURES WITHOUT HANDLES

Width	Height	Depth	Handles	Front panel	Back cover fixing	Product code
250 mm	250 mm	120 mm	no	included	hinge	120.00.0002
250 mm	250 mm	120 mm	no	included	screw	120.00.0003
300 mm	300 mm	120 mm	no	included	hinge	120.00.0004
300 mm	300 mm	120 mm	no	included	screw	120.00.0005
300 mm	400 mm	120 mm	no	included	hinge	120.00.0006
300 mm	400 mm	120 mm	no	included	screw	120.00.0007
400 mm	400 mm	120 mm	no	included	hinge	120.00.0008
400 mm	400 mm	120 mm	no	included	screw	120.00.0009
400 mm	500 mm	120 mm	no	included	hinge	120.00.0010
400 mm	500 mm	120 mm	no	included	screw	120.00.0011
500 mm	500 mm	120 mm	no	included	hinge	120.00.0012
500 mm	500 mm	120 mm	no	included	screw	120.00.0013
500 mm	600 mm	120 mm	no	included	hinge	120.00.0014
500 mm	600 mm	120 mm	no	included	screw	120.00.0015
600 mm	600 mm	120 mm	no	included	hinge	120.00.0016
600 mm	600 mm	120 mm	no	included	screw	120.00.0017
Special design or dimensions						Upon request





## ENCLOSURES WITH SINGLE HANDLE

Width	Height	Depth	Handles	Front panel	Back cover fixing	Product code
250 mm	250 mm	120 mm	side 1 pc.	included	hinge	120.01.0002
250 mm	250 mm	120 mm	side 1 pc.	included	screw	120.01.0003
300 mm	300 mm	120 mm	side 1 pc.	included	hinge	120.01.0004
300 mm	300 mm	120 mm	side 1 pc.	included	screw	120.01.0005
300 mm	400 mm	120 mm	side 1 pc.	included	hinge	120.01.0006
300 mm	400 mm	120 mm	side 1 pc.	included	screw	120.01.0007
400 mm	400 mm	120 mm	side 1 pc.	included	hinge	120.01.0008
400 mm	400 mm	120 mm	side 1 pc.	included	screw	120.01.0009
400 mm	500 mm	120 mm	side 1 pc.	included	hinge	120.01.0010
400 mm	500 mm	120 mm	side 1 pc.	included	screw	120.01.0011
500 mm	500 mm	120 mm	side 1 pc.	included	hinge	120.01.0012
500 mm	500 mm	120 mm	side 1 pc.	included	screw	120.01.0013
500 mm	600 mm	120 mm	side 1 pc.	included	hinge	120.01.0014
500 mm	600 mm	120 mm	side 1 pc.	included	screw	120.01.0015
600 mm	600 mm	120 mm	side 1 pc.	included	hinge	120.01.0016
600 mm	600 mm	120 mm	side 1 pc.	included	screw	120.01.0017
Special design or dimensions						Upon request

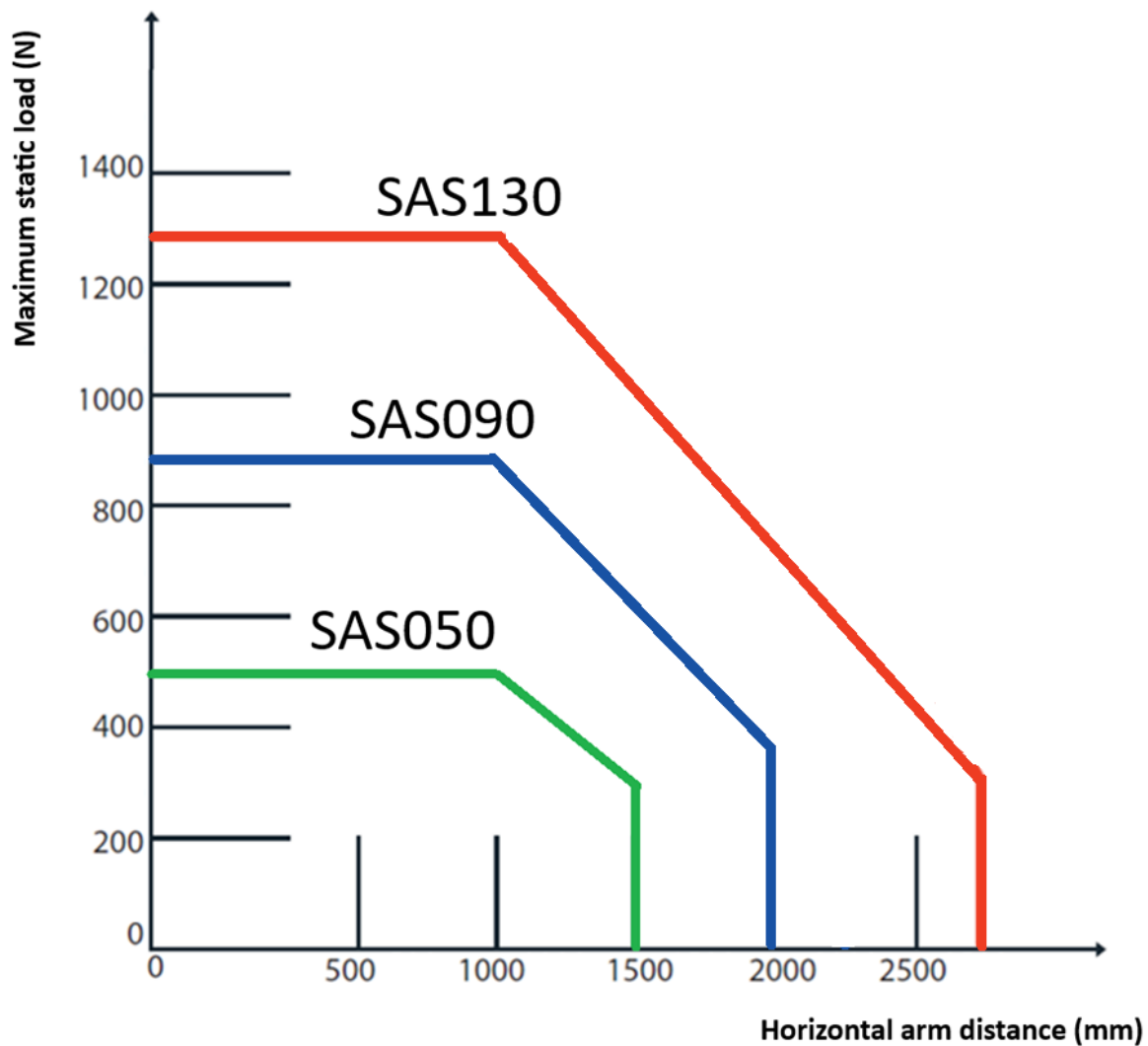


## ENCLOSURES WITH TWO HANDLES

Width	Height	Depth	Handles	Front panel	Back cover	Product code
250 mm	250 mm	120 mm	side 2 pcs.	included	hinge	120.02.0002
250 mm	250 mm	120 mm	side 2 pcs.	included	screw	120.02.0003
300 mm	300 mm	120 mm	side 2 pcs.	included	hinge	120.02.0004
300 mm	300 mm	120 mm	side 2 pcs.	included	screw	120.02.0005
300 mm	400 mm	120 mm	side 2 pcs.	included	hinge	120.02.0006
300 mm	400 mm	120 mm	side 2 pcs.	included	screw	120.02.0007
400 mm	400 mm	120 mm	side 2 pcs.	included	hinge	120.02.0008
400 mm	400 mm	120 mm	side 2 pcs.	included	screw	120.02.0009
400 mm	500 mm	120 mm	side 2 pcs.	included	hinge	120.02.0010
400 mm	500 mm	120 mm	side 2 pcs.	included	screw	120.02.0011
500 mm	500 mm	120 mm	side 2 pcs.	included	hinge	120.02.0012
500 mm	500 mm	120 mm	side 2 pcs.	included	screw	120.02.0013
500 mm	600 mm	120 mm	side 2 pcs.	included	hinge	120.02.0014
500 mm	600 mm	120 mm	side 2 pcs.	included	screw	120.02.0015
600 mm	600 mm	120 mm	side 2 pcs.	included	hinge	120.02.0016
600 mm	600 mm	120 mm	side 2 pcs.	included	screw	120.02.0017
Special design or dimensions						Upon request



## MAXIMUM STATIC LOAD





## Contact Us

**ControlTech s. r. o.**

Ovčáry 297

280 02 Ovčáry

Czech Republic

tel: +420 321 742 011

[info@controltech.cz](mailto:info@controltech.cz)

